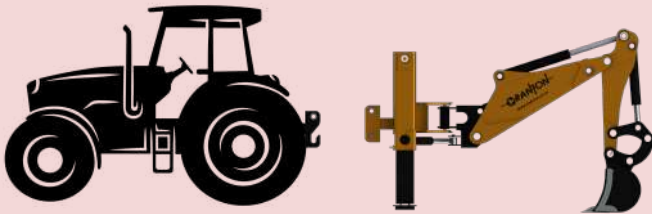


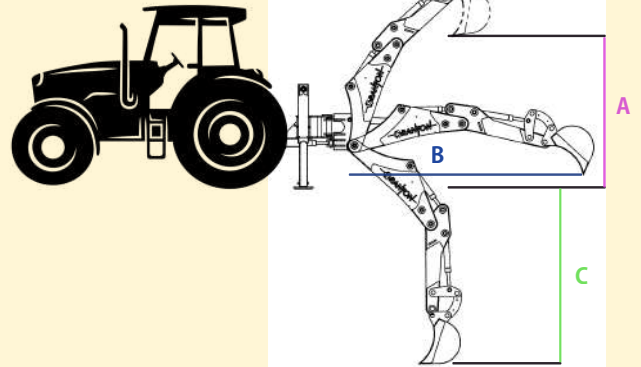
BACKHOE LOADER



EASY LOADER REMOVABLE OPTIONS ARE PROVIDED MOST OF OUR BACKHOE MODELS FOR GOOD VERSATILITY

WE HAVE BACKHOE LOADER MODELS FOR TRACTORS RANGING FROM 20HP TO 70HP

BASED ON THE TRACTOR'S CAPACITY AND THE CORRECT COMBINATION OF BUCKETS OUR LOADERS WILL PROVIDE EFFICIENT & RELIABLE SUPPORT TO OUR CUSTOMERS.



STANDARD STABLIZER



SUITABLE FOR ALL WORKING CONDITIONS

LOADER WIDTH WON'T EXCEED TRACTOR'S WIDTH BY MUCH

SUITABLE FOR APPLICATIONS REQUIRING WIDER FOOT PRINT

RECOMMENDED FOR MINI TRACTORS

EXCEEDS TRACTOR WIDTH WHILE APPLICATIONS.



BUTTERFLY STABLIZER

| | MODEL | STANDARD STABILIZER | BUTTERFLY STABILIZER | REMOVABLE LOADER | SUITABLE TRACTORS | BUCKET SIZE | VOLUME | MAX HEIGHT | DUMP HEIGHT (A) | GROUND REACH (B) | DIGGING DEPTH (C) |
|--|------------|---|---|---|----------------------|--------------|----------------|------------|-----------------|------------------|-------------------|
|  | MINI BH5.5 |  |  |  | 20 TO 50 HP TRACTORS | UPTO 1.25FT | UPTO 0.08 CU.M | 8.5 FT | 5.5 FT | 7.5 FT | 5.5FT |
|  | MINI BH6.5 |  |  |  | 20 TO 50 HP TRACTORS | UPTO 1.25FT | UPTO 0.08 CU.M | 9.5 FT | 6.5 FT | 8 FT | 6.5FT |
|  | BH5.5 |  |  |  | 30 TO 60 HP TRACTORS | UPTO 1.5 FT | UPTO 0.09 CU.M | 8.5 FT | 5.5 FT | 8.75 FT | 5.5FT |
|  | BH6.5 |  |  |  | 30 TO 60 HP TRACTORS | UPTO 1.5 FT | UPTO 0.09 CU.M | 9.5 FT | 6.5 FT | 9 FT | 6.5 FT |
|  | BH8.5 |  |  |  | 45 TO 70 HP TRACTORS | UPTO 1.75 FT | UPTO 0.1 CU.M | 12 FT | 8 FT | 12 FT | 8.5 FT |
|  | BH8.5 HD |  |  |  | 45 TO 70 HP TRACTORS | UPTO 1.75 FT | UPTO 0.1 CU.M | 12 FT | 8 FT | 12 FT | 8.5FT |